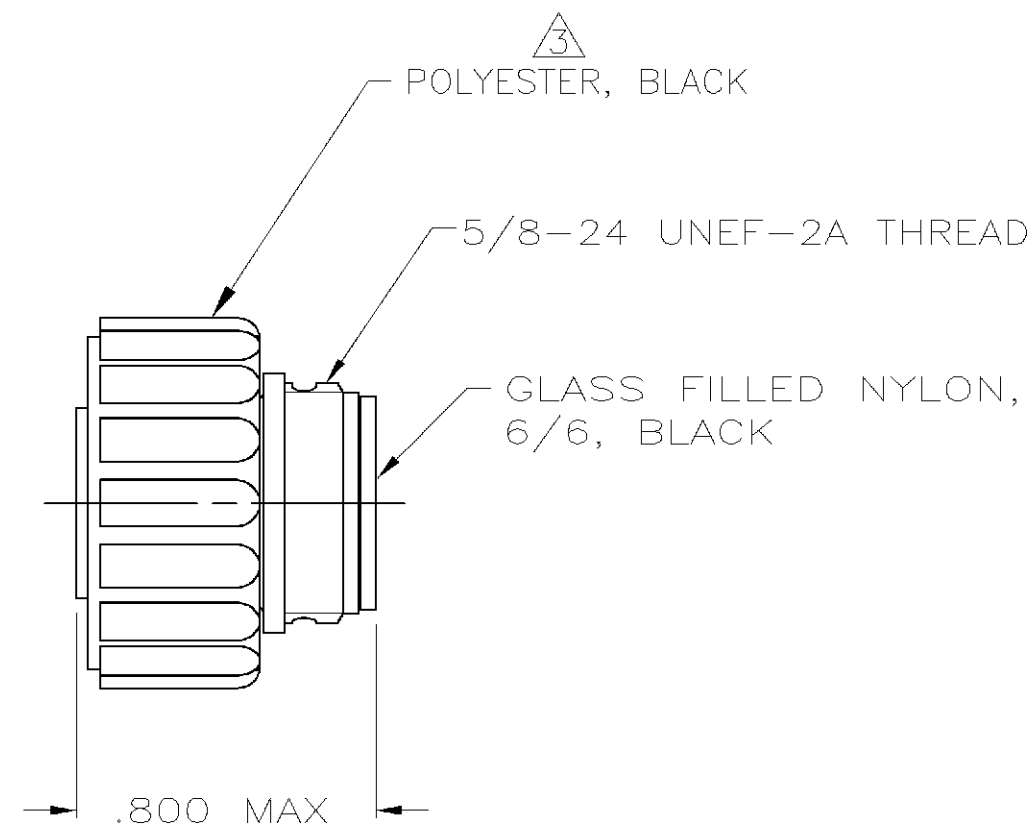
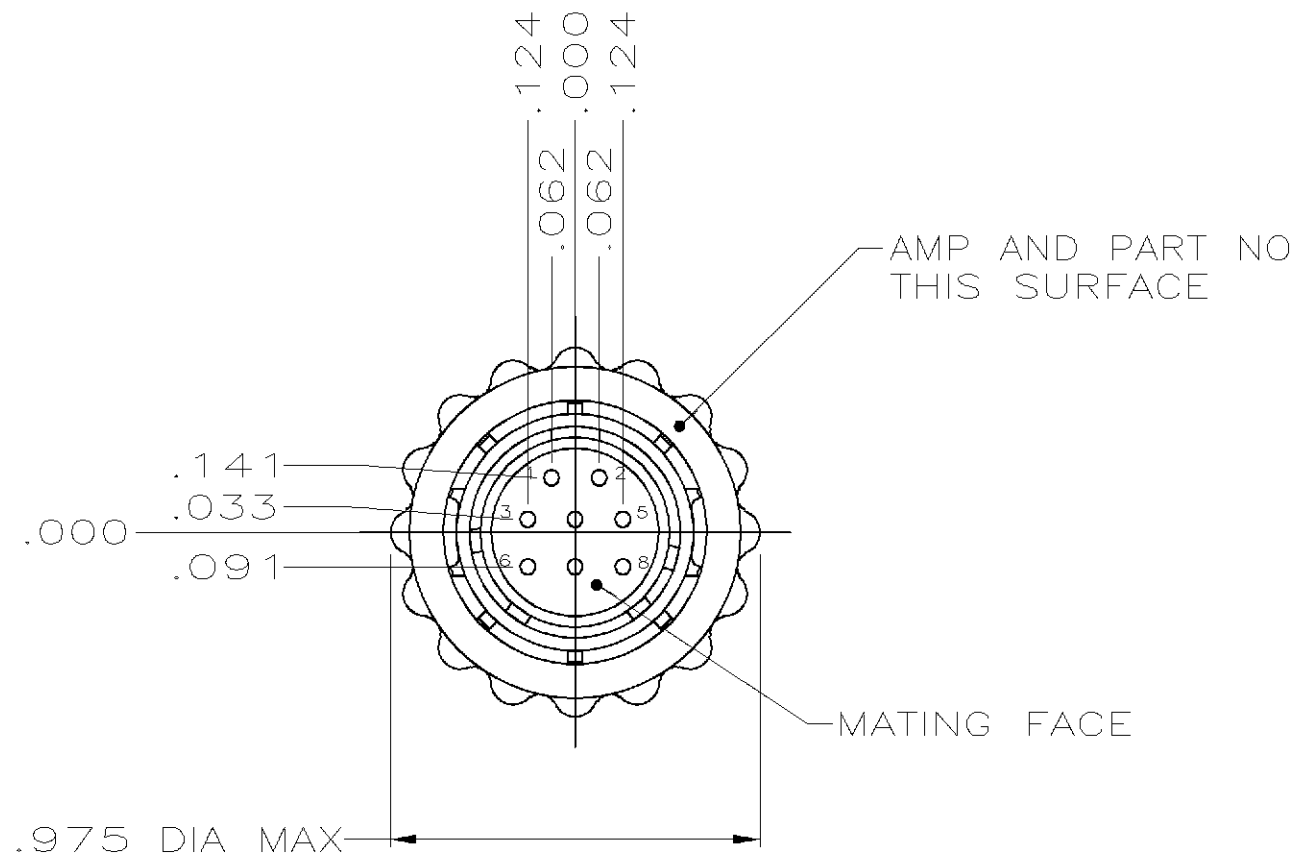


THIS DRAWING IS UNPUBLISHED. RELEASED FOR PUBLICATION
 © COPYRIGHT BY TYCO ELECTRONICS CORPORATION. ALL RIGHTS RESERVED.

LOC	DIST	REVISIONS			
P	LTR	DESCRIPTION	DATE	DWN	APVD
FT	0	F	REVISED PER 0G3B-0316-0	6/5/02	SS SH

NOTES:

- CONTACT CAVITIES IDENTIFIED BY CHARACTERS ON FRONT AND REAR FACES OF CONNECTOR.
- WILL ACCEPT (8) SIZE PIN CONTACTS.
- 206434-1 ONLY. COUPLING RING REMOVE FOR 206434-2.



206434-2
206434-1
PART NUMBER

THIS DRAWING IS A CONTROLLED DOCUMENT.		DWN A.STAUB BG 4/8/91	Tyco Electronics Corporation Harrisburg, PA 17105		
DIMENSIONS: INCHES	TOLERANCES UNLESS OTHERWISE SPECIFIED:	CHK W.G.LENKER 7-23-92	NAME PLUG ASSEMBLY, REV SEX, SERIES 2, 11-8, CPC		
	0 PLC ± -	APVD -	PRODUCT SPEC 108-10024		
	1 PLC ± -	PRODUCT SPEC	APPLICATION SPEC		
MATERIAL SEE	2 PLC ± -	WEIGHT -	SIZE A3	CAGE CODE 00779	DRAWING NO C-206434
	3 PLC ± .005	CUSTOMER DRAWING	SCALE 2:1		SHEET 1 OF 1
	4 PLC ± -		RESTRICTED TO		REV F
	ANGLES ± -				
	FINISH -				